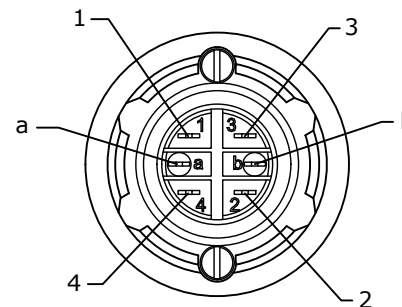
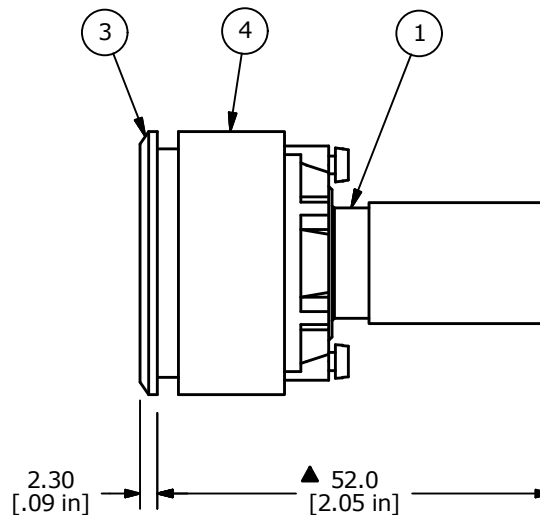
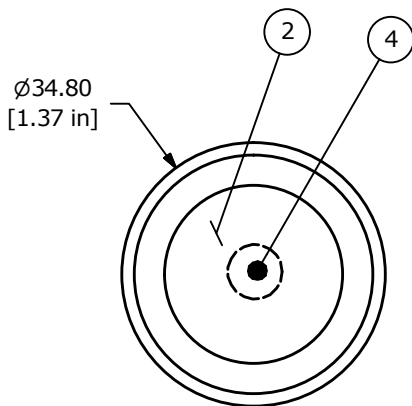
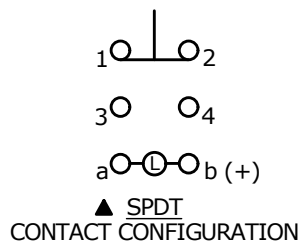
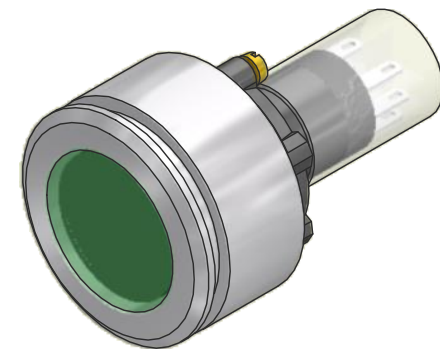


RECOMMENDED PANEL CUTOUT

▲ Parts List			
ITEM	QTY	PART NUMBER	DESCRIPTION
1	1	F060622	LAKOAU110 BODY
2	1	F060212	29MM GREEN LENS
3	1	F051706	35MM FLUSH MOUNT BEZEL
4	1	F051707	35MM FLUSH MOUNT RETAINER
5	1	F050411	NEON 110 VAC GREEN



NOTES:

- ALL DIMENSIONS IN MM [INCH].
- GENERAL TOLERANCE: x.x = ± 0.4  
x.xx = ± 0.25
- TERM. NOS. FOR REF. ONLY.
- RATING: 5A @250VAC  
8A @125VAC  
.2A @250VDC  
6A @24VDC
- INSULATION: 1,000 MΩ MIN.
- DIELECTRIC STRENGTH: 1,500V FOR 1 MIN.
- SEALED TO IP65.
- TRAVEL: 3.0mm FULL TRAVEL, 2.0mm LATCH
- ELECTRICAL LIFE: >50,000 CYCLES
- OPERATING TEMP: -25C to +55C
- PANEL THICKNESS: 0.5mm to 3.0mm
- LAMP: NEON 110 VAC GREEN
- ▲ DENOTES CRITICAL PARAMETER.



A	23231	RELEASE FOR PRODUCTION	2/22/18	MW
REV	PCR NO	DESCRIPTION	DATE	BY

TITLE LAKOAU31FGRNGRN				
SCALE 1:1	DATE 2/22/2018	DR MW	DWG XF0917P	REV A

THE INFORMATION CONTAINED IN THIS DOCUMENT IS PROPRIETARY TO E-SWITCH AND IS NOT TO BE COPIED OR TRANSFERRED